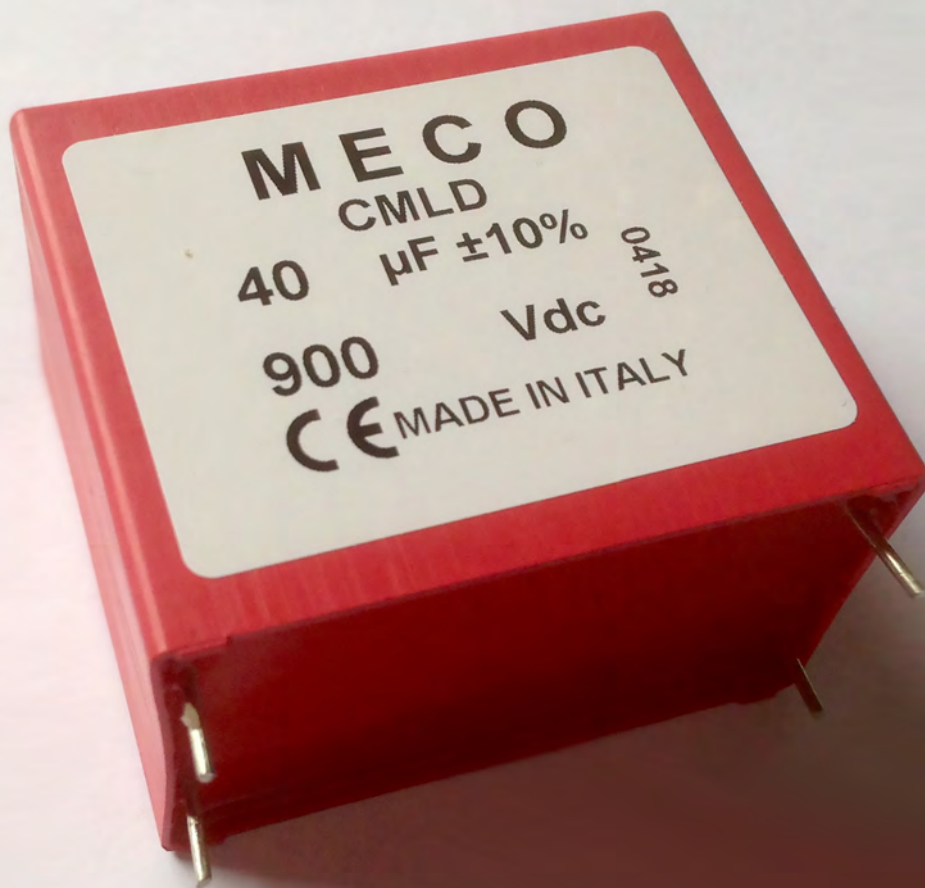


Serie CMLD

Condensatori DC Link e snubber *DC Link & snubber capacitors*

Condensatori DC per applicazioni DC-Link a media-bassa potenza in inverter, controlli motore AC/DC e apparecchiature di saldatura.

DC capacitors for medium-low power DC-Link applications in inverters, AC/DC motor controls and welding equipments.



MECO CAPACITORS SRLS UNIPERSONALE

Via Pasubio, 44 | 21020 Crugnola di Mornago (VA) Italy

T +39 03311893900 www.mecocapacitors.com meco@mecocapacitors.com

Serie CMLD

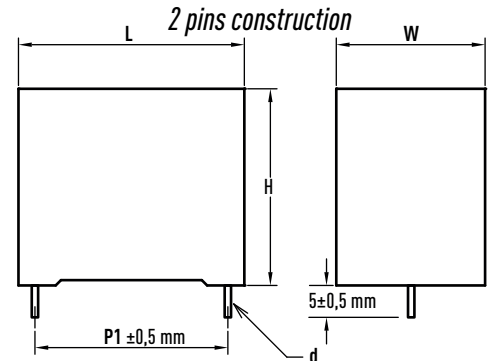
Condensatori DC Link e snubber DC Link & snubber capacitors

Caratteristiche tecniche

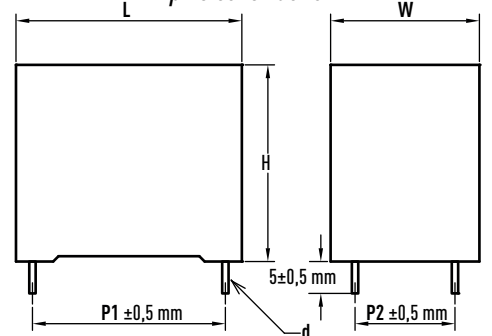
Technical details

Tensione nominale DC (U_R) <i>Rated DC voltage (U_R)</i>	450, 800
Range capacità <i>Capacitance range</i>	1 μ F -> 200 μ F
Tolleranza capacità <i>Capacitance tolerance</i>	$\pm 5/10\%$
Range capacità <i>Capacitance range</i>	1 μ F -> 200 μ F
Induttanza serie <i>Inductance serie</i>	≤ 1 nH
Resistenza di isolamento (IR) <i>Insulation resistance (IR)</i>	≥ 3000 s, 1 min. 100Vdc
Fattore dissipazione (tan) <i>Dissipation factor (tan)</i>	Tg δ x5-4, 50Hz
Dispositivo di sicurezza <i>Safety device</i>	NO
Categoria climatica <i>Climatic category</i>	40/85/56
Temperatura massima d'esercizio $-\theta_{max}$ <i>Maximum operating temperature $-\theta_{max}$</i>	85°C
Temperatura minima d'esercizio $-\theta_{min}$ <i>Minimum operating temperature $-\theta_{min}$</i>	-40°C
Tensione di prova <i>Test voltage</i>	tra i terminali: $1,5U_{NDC}/10''$ between terminals: $1,5U_{NDC}/10''$
Terminali <i>Terminals</i>	Filo di rame stagnato (senza piombo) <i>Tinned copper pins (lead free)</i>
Corrente massima terminali <i>Maximum terminal current</i>	100A
Materiale contenitore <i>Case material</i>	Plastica VO autoestinguente UL94 <i>UL94 Self-extinguishing VO plastic</i>
Grado di protezione <i>Protection degree</i>	IP00
Norma di riferimento <i>Reference standard</i>	IEC 61071-1 IEC 1071
Aspettativa di vita <i>Life expectancy</i>	≥ 100000 h
Altitudine <i>Altitude</i>	≤ 2000 mslm masl

Esecuzione a 2 terminali



Esecuzione a 4 terminali



Principali applicazioni

- DC-Link a potenza medio-bassa
- Inverter
- Comandi motore AC/DC
- Attrezzature per saldatura
- Veicoli ibridi

Main applications

- Medium-low power DC-Link
- Inverters
- AC/DC motor controls and drivers
- Welding equipments
- Hybrid vehicles

MECO CAPACITORS SRLS UNIPERSONALE

Via Pasubio, 44 | 21020 Crugnola di Mornago (VA) Italy

T +39 03311893900 www.mecocapacitors.com meco@mecocapacitors.com

Serie CMLD

Condensatori DC Link e snubber DC Link & snubber capacitors

Code (2 Pin type)	Cap. (µF)	Un (Vdc)	dv/dt (v/µs)	Current (Amp)		ESR mΩ	ESL nH	Dimensions (mm)			P 1 (mm)
				I pk	I rms			L	W	H	
CMLDF4100AP2AAJ	1	450	45.0	45	1.0	16.5	20	34.0	10.0	18.0	27.5
CMLDF4200AP2A1BJ	2	450	45.0	90	1.5	16.0	20	34.0	14.5	20.5	27.5
CMLDF4300AP2A1BJ	3	450	45.0	135	2.0	15.5	20	34.0	14.5	20.5	27.5
CMLDF4400AP2A1CJ	4	450	45.0	180	2.0	15.0	20	34.0	17.0	26.0	27.5
CMLDF4500AP2A1CJ	5	450	45.0	225	2.5	14.5	20	34.0	17.0	26.0	27.5
CMLDF4600AP2A1DJ	6	450	45.0	270	3.0	14.0	20	34.0	20.0	28.0	27.5
CMLDF4700AP2A1DJ	7	450	27.5	193	3.5	15.0	20	34.0	20.0	28.0	27.5
CMLDF4800AP2A1EJ	8	450	27.5	220	4.0	14.5	20	34.0	22.0	34.0	27.5
CMLDF4900AP2A1EJ	9	450	27.5	248	4.5	14.0	20	34.0	22.0	34.0	27.5
CMLDF5100AP2A1EJ	10	450	27.5	275	4.5	13.0	20	34.0	22.0	34.0	27.5
CMLDF5120AP2B2FJ	12	450	27.5	330	5.0	12.5	25	42.0	20.0	39.5	37.5
CMLDF5150AP2B2FJ	15	450	27.5	413	5.5	12.0	25	42.0	20.0	39.5	37.5
CMLDF5200AP2B2GJ	20	450	27.5	550	6.0	11.5	25	42.0	20.0	39.5	37.5
CMLDF5250AP2B2HJ	25	450	20.5	513	6.5	11.5	25	42.0	20.0	39.5	37.5
CMLDF5300AP2B2HJ	30	450	20.5	615	7.0	11.0	30	42.0	20.0	39.5	37.5
CMLDF5350AP2B2HJ	35	450	20.5	718	8.0	10.0	30	42.5	28.0	37.0	37.5
CMLDM4100AP2A1BJ	1	800	20.0	20	2.0	9.0	20	34.0	14.5	20.5	27.5
CMLDM4200AP2A1BJ	2	800	20.0	40	3.0	8.5	20	34.0	14.5	20.5	27.5
CMLDM4300AP2A1CJ	3	800	20.0	60	3.5	8.5	20	34.0	17.0	26.0	27.5
CMLDM4400AP2A1DJ	4	800	20.0	80	4.0	8.0	20	34.0	20.0	28.0	27.5
CMLDM4500AP2A1EJ	5	800	20.0	100	4.5	7.3	25	34.0	22.0	34.0	27.5
CMLDM4600AP2A1EJ	6	800	20.0	120	5.0	6.5	25	34.0	22.0	34.0	27.5
CMLDM4700AP2A1FJ	7	800	20.0	140	5.5	8.0	25	44.0	22.0	34.0	27.5
CMLDM4800AP2B2FJ	8	800	20.0	160	6.5	7.5	25	44.0	22.0	34.0	37.5
CMLDM4900AP2B2FJ	9	800	20.0	180	7.5	7.0	25	44.0	22.0	34.0	37.5
CMLDM5100AP2B2GJ	10	800	20.0	200	8.5	6.0	30	42.5	28.0	37.0	37.5

Code (4 Pin Type)	Cap. (µF)	Un (Vdc)	dv/dt (v/µs)	Current (Amp)		ESR mΩ	ESL nH	Dimensions (mm)			Pin Dist. (mm)	
				I pk	I rms			W	H	L	P 1	P 2
CMLDF5400AP4C3IJ	40	450	20.5	820	9.0	8.5	30	45.0	24.0	48.0	52.5	20.0
CMLDF5500AP4C3IJ	50	450	20.5	1025	11.0	7.0	30	42.5	33.0	45.0	52.5	20.0
CMLDF5600AP4C3JJ	60	450	13.5	810	11.5	6.5	35	57.5	30.0	45.0	52.5	20.0
CMLDF5700AP4C3JJ	70	450	13.5	945	12.5	6.0	35	57.5	30.0	45.0	52.5	20.0
CMLDF5800AP4C3JJ	80	450	13.5	1080	13.5	5.5	35	57.5	35.0	50.0	52.5	20.0
CMLDF5900AP4C3KJ	90	450	13.5	1215	14.0	5.0	35	57.5	35.0	50.0	52.5	20.0
CMLDF6100AP4C3KJ	100	450	13.5	1350	14.5	4.5	35	57.5	35.0	50.0	52.5	20.0
CMLDF6200AP4C3LJ	200	450	9.5	1900	28.0	4.0	45	61.5	68.5	68.5	52.5	30.0
CMLDM5120AP4B2GJ	12	800	15.0	180	9.0	7.0	30	42.5	28.0	37.0	37.5	12.5
CMLDM5150AP4B2HJ	15	800	15.0	225	10.0	6.0	30	42.5	30.0	45.0	37.5	20.0
CMLDM5200AP4C3MJ	20	800	15.0	300	13.5	4.5	30	57.5	30.0	45.0	52.5	20.0
CMLDM5250AP4C3MJ	25	800	15.0	375	14.0	4.5	30	57.5	35.0	50.0	52.5	20.0
CMLDM5300AP4C3NJ	30	800	11.0	330	15.0	4.5	35	57.5	35.0	50.0	52.5	20.0
CMLDM5350AP4C3NJ	35	800	11.0	385	17.0	4.0	35	57.5	35.0	50.0	52.5	20.0
CMLDM5400AP4C3OJ	40	800	11.0	440	18.0	3.5	35	48.0	48.0	59.0	52.5	20.0
CMLDM5500AP4C3OJ	50	800	11.0	550	19.0	3.3	35	48.0	48.0	59.0	52.5	20.0

MECO CAPACITORS SRLS UNIPERSONALE

Via Pasubio, 44 | 21020 Crugnola di Mornago (VA) Italy

T +39 03311893900 www.mecocapacitors.com meco@mecocapacitors.com